

LED Bulb Light



- **Almost the same brightness and dimensions compared with incandescent light bulb -**
Warm White (2700~3200k) 420lm, with power consumption of 6.8W (86~264VAC/50~60Hz)
- **The lightest weight compared with same category products in the LED lighting markets -**
Keeping low weight heat sink by our proprietary heat dissipation materials
- **Lighting shape is very similar to Incandescent light bulb -**
Our light emission shape is sphere and almost full directions.
- **Environment friendly -**
The LED bulb light is compliant to ROHS & REACH and minimum CO₂ pollution to the earth.
- **High CRI -**
CRI > 75 (warm white) provide very comfortable vision and vivid color.
- **Energy and maintenance cost saving -**
The LED bulb light can replaced existing bulb lights. But it saves 80% energy consumption with same illumination and provides 40,000 hours of operation life. It is forty times life of incandescent bulb lights.



Product Information

Parts Number	BL07E26A
--------------	----------

General Characteristics

Base	E26/E27/E17
Bulb type	A19
Material	Glass cover, aluminum
Intensity degradation 90%@25°C	10,000 hrs
Intensity degradation 75%@25°C	40,000 hrs
Operation temperature	-20~65°C
Humidity	60%

Photometric Characteristics

Luminous flux (warm white/cold white)	420 lm/465 lm
Central illumination	115 lux (warm white) 140 lux (cold white)
Correlated colour temperature	2700~3200K (warm white) 5000~6000K (cool white)
Viewing angle	360°
Color rendering index (CRI)	80

Electrical Characteristics

Input voltage	86~264VAC / 50~60Hz
Power consumption	6.8W
Equal to incandescent lamp	60W
Power efficiency	80%

Mechanical Characteristics

Dimension(DxL)mm	60x113.5
Net weight	75gs
Warranty	System: 3 years; LED: 40,000 hrs

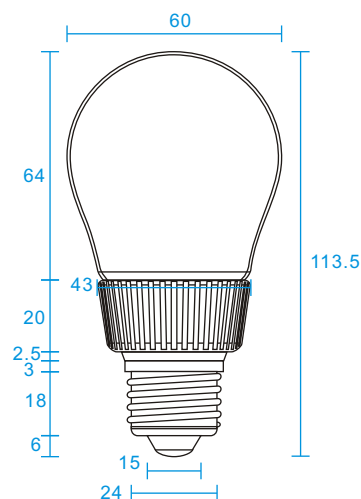


Power Digital DELight Co., Ltd.

5F, No. 51, Sec. 4, Zhongyang Rd., Tucheng City, Taipei County 236, Taiwan, R.O.C.

TEL : +886-2-2269-6818 FAX : +886-2-2269-1055

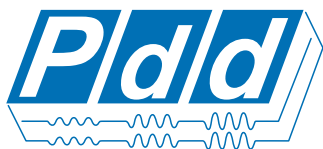
http : //www.pd3.com.tw



LED Bulb Light



- **Almost the same brightness and dimensions compared with incandescent light bulb -**
Warm White (2700~3200k) 330lm, with power consumption of 5.6W (86~264VAC/50~60Hz)
- **The lightest weight compared with same category products in the LED lighting markets -**
Keeping low weight heat sink by our proprietary heat dissipation materials
- **Lighting shape is very similar to Incandescent light bulb -**
Our light emission shape is sphere and almost full directions.
- **Environment friendly -**
The LED bulb light is compliant to ROHS & REACH and minimum CO₂ pollution to the earth.
- **High CRI -**
CRI > 75 (warm white) provide very comfortable vision and vivid color.
- **Energy and maintenance cost saving -**
The LED bulb light can replaced existing bulb lights. But it saves 80% energy consumption with same illumination and provides 40,000 hours of operation life. It is forty times life of incandescent bulb lights.



PDD LED Lights Series

LED Bulb Light

Product Information

Parts Number	BL05E26A	BL04E17G
--------------	----------	----------

General Characteristics

Base	E26/E27/E17	E17
Bulb type	A19	G50
Material	Glass cover, aluminum	
Intensity degradation 90%@25°C	10,000 hrs	
Intensity degradation 75%@25°C	40,000 hrs	
Operation temperature	-20~65°C	
Humidity	60%	

Photometric Characteristics

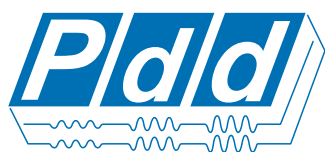
Luminous flux (warm white/cold white)	330 lm/420 lm	275 lm/340 lm
Central illumination	85±5 lux (warm white)	70±5 lux (warm white) 102±5 lux (cold white)
Correlated colour temperature	2700~3200K (warm white) 5000~7000K (cool white)	
Viewing angle	360°	
Color rendering index (CRI)	80	

Electrical Characteristics

Input voltage	86~264VAC / 50~60Hz	
Power consumption	5.6W	4.5W
Equal to incandescent lamp	60~40W	40W
Power efficiency	80%	

Mechanical Characteristics

Dimension(DxL)mm	60x115.5	50x83
Net weight	78gs	60gs
Warranty	System: 3 years; LED: 40,000 hrs	



Power Digital DELight Co., Ltd.

5F, No. 51, Sec. 4, Zhongyang Rd., Tucheng City, Taipei County 236, Taiwan, R.O.C.

TEL : +886-2-2269-6818 FAX : +886-2-2269-1055

http : //www.pd3.com.tw

